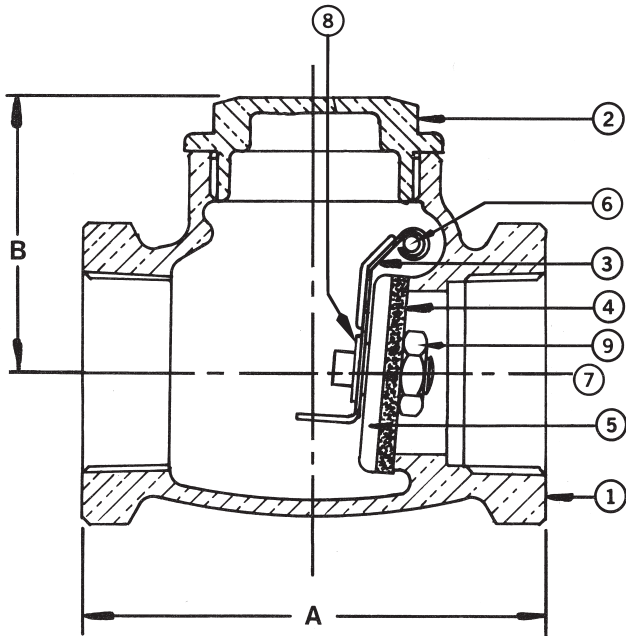


# CHECK 509/509T

## HORIZONTAL SWING – BRONZE

125 lb. SWP-200 lb. WOG† • General Service  
• Threaded Ends



DIMENSIONS - INCHES / MILLIMETERS				
UNITS	SIZE	A	B	C <sub>v</sub>
Inches	1/4	2.13	1.44	3.3
mm	6.4	54.0	36.5	
Inches	3/8	2.13	1.44	6.0
mm	9.5	54.0	36.5	
Inches	1/2	2.31	1.44	10.0
mm	12.7	58.8	36.5	
Inches	3/4	2.63	1.69	18.0
mm	19.1	66.7	42.9	
Inches	1	3.25	2.00	31.0
mm	25.4	82.6	50.8	
Inches	1 1/4	3.56	2.13	54.0
mm	31.8	90.5	54.0	
Inches	1 1/2	4.00	2.38	76.0
mm	38.1	101.6	60.3	
Inches	2	4.75	2.81	131.0
mm	50.8	130.2	208.0	
Inches	*2 1/2	6.00	3.63	192.0
mm	63.5	152.4	92.1	
Inches	*3	6.88	4.19	297.0
mm	76.2	174.6	106.4	

† Non-Shock  
\* 509 Only

Rev. 9

### SPECIFICATIONS

509 Conforms to: MSS SP-80. Type 3,  
Class 125, Threaded Ends.

### MATERIAL LIST

NO.	PART	MATERIAL	SPECIFICATION
1	Body	Bronze	ASTM B 62
2	Cap	Bronze	ASTM B 62
3	Lever	St. Steel -	Commercial
		Bronze -	ASTM B 584
		509	2 1/2" and 3"
4	Disc	Brass -	ASTM B 16
		509	1/4" to 3/4"
			ASTM B 453
5	Disc Holder (509T Only)	Bronze -	ASTM B 62
		509	2" to 3"
		PTFE -	Commercial
5	Disc Holder (509T Only)	Brass	ASTM B 16
			1/4" to 3/4"
6	Pin	Brass	ASTM B 62
			1" to 3"
6	Pin	St. Steel	Commercial
7	Disc Nut	Brass	ASTM B 16
8	Retaining Ring	St. Steel	Commercial
9	Plug (not shown)	Brass -	ASTM B 16
10 <sup>1</sup>	Washer (not shown)	509	
		Brass -	ASTM B 16
		509	

<sup>1</sup> Used on 2 1/2" and 3" sizes only

**INNOVATION** IN EVERY VALVE



**MILWAUKEE VALVE**

The information presented on this sheet is correct at the time of publication. Milwaukee Valve reserves the right to change design, and/or material specifications without notice. For the Installation, Operation and Maintenance Manual (IOM) see the engineering section on our website. For the most current information access [www.milwaukeevalve.com](http://www.milwaukeevalve.com)

[www.milwaukeevalve.com](http://www.milwaukeevalve.com)